

Data sheet

RCO 20C-iS-D



Applications

The freely programmable intelligent Slave module RCO 20C-iS-D is suitable for stand alone operation and for operation in the Master network. The programming can be done in structured English text with a standard terminal program. Values, setpoints and parameters can be indicated on the integrated Display. The intelligent Slave module offers a higher technical and economic flexibility to System Partners specifically for small and recurring installations

Features

- 8 Universal Inputs
- 4 Analogue Outputs
- 8 Digital Outputs
- Plugable Terminals
- Small size enclosure
- EMC acc. to European Standard EN 50 082
- HF-emission acc. to European Standard EN 55 011
- CE-marked



Ambient Conditions

Ambient temperature:
0...50 °C

Ambient humidity:
0...90 % relative air humidity, not condensing

Execution

Aluminium housing for panel installation
Dimensions: HxWxD:134 mmx125x30mm
Weight: 250 g

Electrical data

Power supply	24 VAC/DC +/- 10%
Power Consumption	3 VA
Protection class	IP20 acc. to DIN 40050

L-Bus

Bus:
Length: Depending on cable dimension and speed of the bus.
Device address: selectable via operator knob selectable

Transmission speed:
Standard: 100 kbps

Functional data

Inputs:
8 Universal Inputs, 0 ... 10 VDC 10 Bit resolution. (also usable as digital input)

- Temperature Input, NTC4,7k, NTC 10 k, NTC 30 kOhm, Pt1000, Ni1000, Ni1000(L&S), PtC1k, NTCSAT (Satchwell), and setpoint adjuster RFB215A/K

Outputs:
4 Analogue Outputs, 0 ... 10 VDC 8 Bit resolution, via Software controlable against GND.

- Load max. 8 mA in the range of 0 ... 7 VDC, 5 mA 7 ... 10 VDC

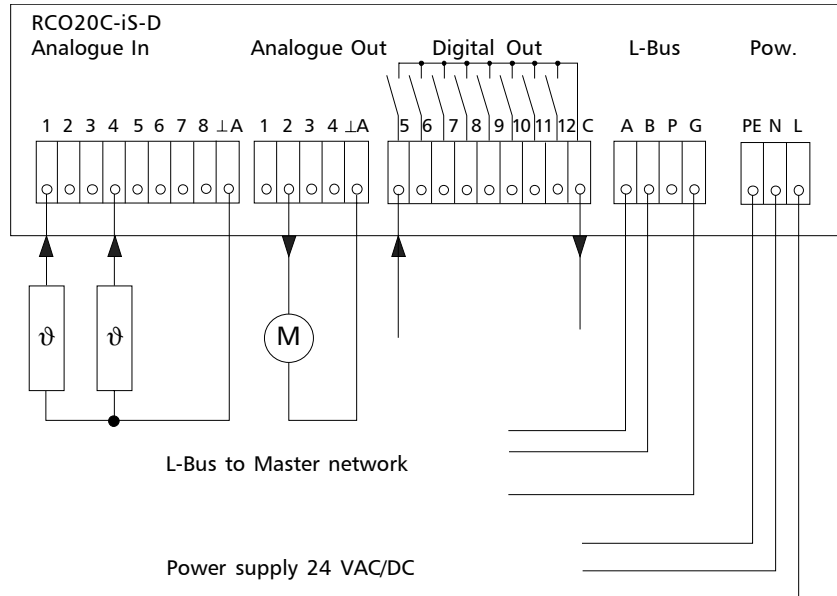
8 Digital Outputs

- 2-point-output potentialfree load up to 500 mA, 24 V

Programming

The programming can be done in structured English text with a standard terminal program.

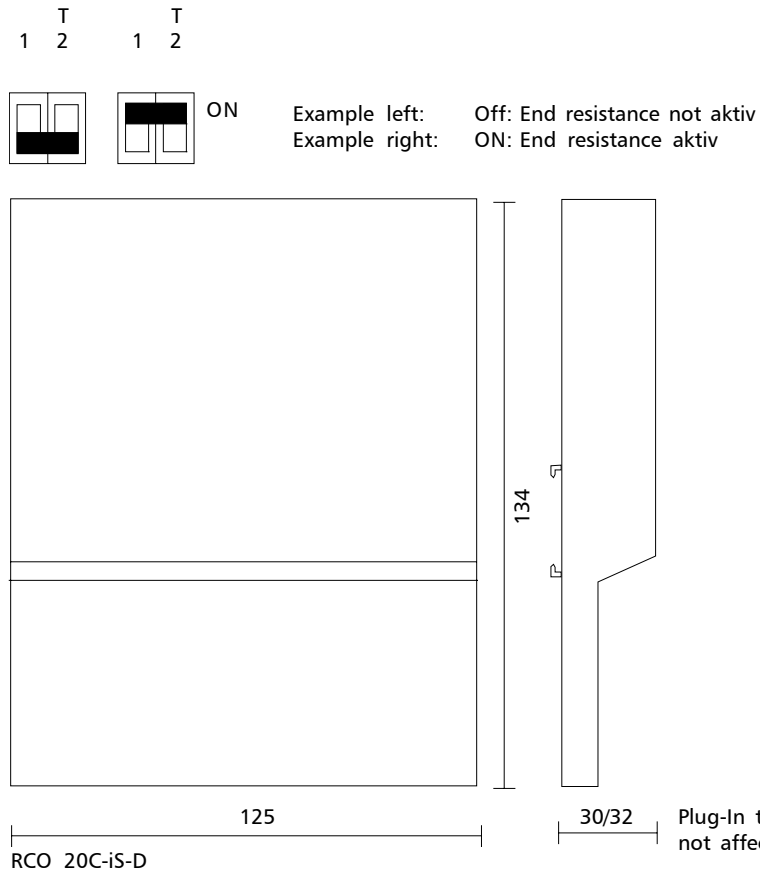
Wiring connection



Interfaces

L-Bus connection, RS 232 connector (RJ45) lateral, for PC or modem connection

Dimension drawing



Delivery